

Outdoor on-grid inverter

JSI-3600TL

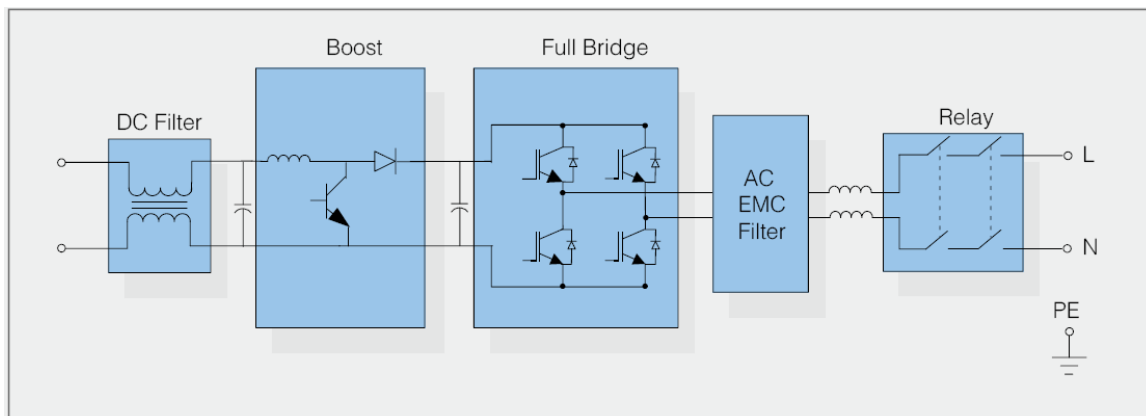
JSI BENEFITS

- C Compact size and high power density
- High speed MPPT for real time power tracking and improved energy harvesting
- Transformerless operation for highest efficiency: > 96.7% (>95.5% Euro)
- High overload capability: works up to 4000W under most ambient conditions
- Certified grid connected operation according to the international standards
- True Sine Wave Output
- Integrated RS-485/RS-232 serial communication
- Multi-language display

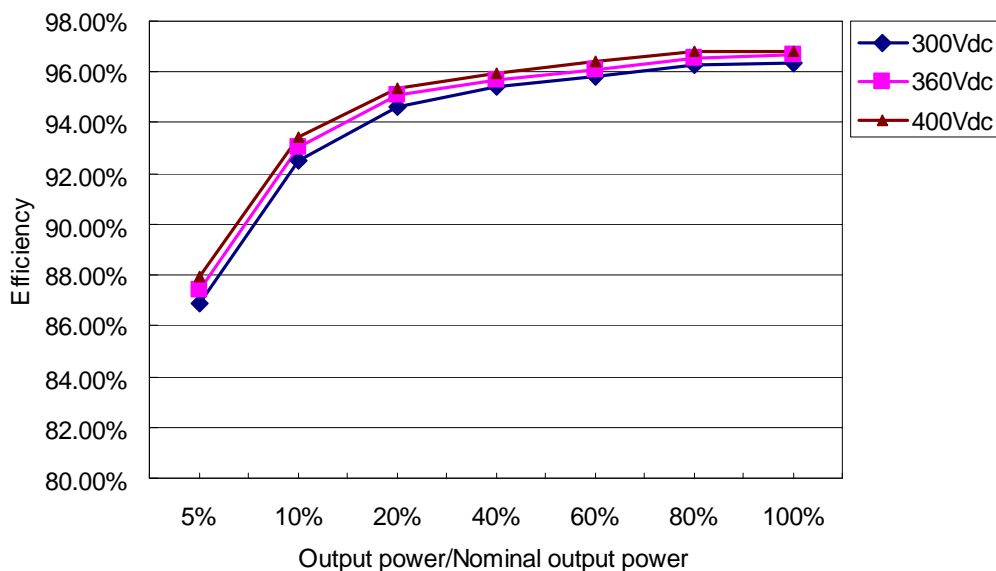


Block diagram and typical efficiency curve

Block diagram



Efficiency curve



CHARACTERISTICS	JSI-3600TL
Input Data(DC side)	
Max. DC power	4180W
Max. DC voltage	500Vdc
MPPT Operating range	100~450Vdc
Number of parallel inputs	2
Number of MPPT trackers	1
Max. input current (total)	20A
Output Data(AC side)	
Nominal output power	3600W
Max. Output power	4000W
Nominal output current	15.7A
Max. output current	19A
Nominal AC voltage	230Vac
Possible AC voltage range *	190~265Vac
Nominal AC grid frequency	50Hz
Possible AC grid frequency range*	50 ± 5 Hz
Power factor(cos φ)	>0.99
Harmonic distortion(THDI)	<3%(at nominal output power)
Efficiency	
Max. efficiency	>96.7%
Euro efficiency	>95.5%
MPPT efficiency	>99%
General data	
Dimensions (W / D / H)	345*162*384 mm
Net weight	17Kg
Operating temperature range	-25 °C ~ +60 °C
Noise emission (typical)	≤ 25 dB(A)
Power consumption at night	0 W
Electrical isolation	Transformer-less
Cooling concept	Natural cooling
IP Code	IP65
Communication	RS-485/RS-232

* AC grid voltage range and frequency range depend on local standards.

MODEL SUMMARY

Model name	Output power
JSI-3600TL	3600W
JSI-3600TL-S	3600W

-S suffix indicate an integrated DC switch

STANDARDS AND CODES

JSI inverters comply with standards set for grid-tied operation, safety and electromagnetic compatibility including: VDE0126-1-1, DK5940, AS4777, IEC 62109-1, IEC62109-2, EN50178, EN61000, CE certification.